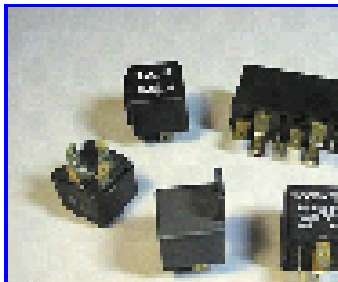


CLIFTONAUTO
ELECTRICAL PARTS & DIESEL SERVICES

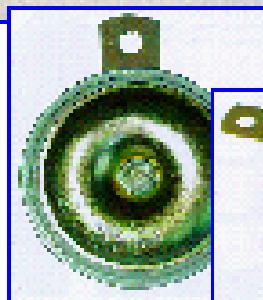
Relays



Commercial Vehicle Lighting



Flashers



Horns

A vast range of Electrical & Diesel Products



CLIFTONAUTO
ELECTRICAL PARTS & DIESEL SERVICES



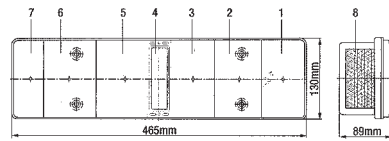
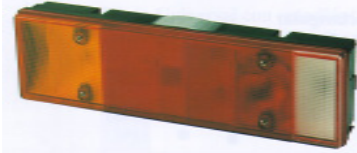
Product Range

Contents

	Page
Combination Lamps	2-10
Rear Lamps	11
Front Lamps	12-13
Marker Lamps	14-16
Number Plate Lamps	17-18
Reflectors	19
Flasher Units	20-22
Relays	23-24
Reverse Alarms	25-27
Washer Pumps	28-30
Wipers	31
Horns	32-33
Accessory Lamps	34-37
Column Switches	38-41
Switchgears	42
Bacons	43-46
Headlamps	47

COMBINATION REAR LAMPS & LENSES

COMBINATION REAR LAMP



1. Reversing
2. Rear fog
3. Rear position
4. Reflex Reflector
5. Stop
6. Rear Direction Indicator
7. End Outline Marker
8. Sidemarker/Reflex-Reflector
9. Number Plate Illuminating

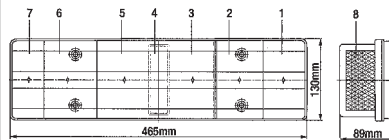
MID1001 L.H. MID1002 R.H.
9 FUNCTION TAIL LAMP "PLAIN LENS"
INCLUDING N/PLATE. RUBBER GROMMET
CABLE ENTRY.

MID1003 L.H. MID1004 R.H.
9 FUNCTION TAIL LAMP "PLAIN LENS"
INCLUDING N/PLATE. 8 WAY SCHLEMMER
CONNECTOR

MID1191 6 WAY SCHLEMMER CONNECTOR

MID1005 LENS REPLACEMENT
MAN

COMBINATION REAR LAMP



1. Reversing
2. Rear Fog
3. Rear position
4. Reflex Reflector
5. Stop
6. Rear Direction Indicator
7. End Outline Marker
8. Sidemarker/Reflex-Reflector
9. Number Plate Illuminating

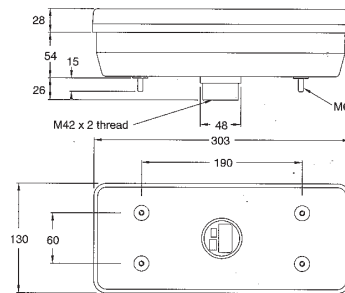
MID1006 L.H. MID1007 R.H.
9 FUNCTION TAIL LAMP "RIBBED LENS"
INCLUDING N/PLATE. RUBBER GROMMET
CABLE ENTRY

MID1008 L.H. MID1009 R.H.
9 FUNCTION TAIL LAMP "RIBBED LENS"
INCLUDING N/PLATE 8 WAY SCHLEMMER
CONNECTOR

MID1010 LENS REPLACEMENT

MERCEDES

COMBINATION REAR LAMP



MID1011 R.H.
5 FUNCTION TAIL LAMP INCLUDING R/FOG

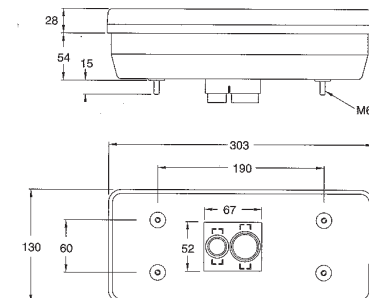
MID1012 L.H.
5 FUNCTION TAIL LAMP INCLUDING
REVERSE

MID1013 LENS REPLACEMENT R.H.

MID1014 LENS REPLACEMENT L.H.
SINGLE PLUG

VARIOUS IVECO, FORD VEHICLES

COMBINATION REAR LAMP (LENS ONLY)



MID1011DP L.H.
5 FUNCTION TAIL LAMP INCLUDING
REVERSE

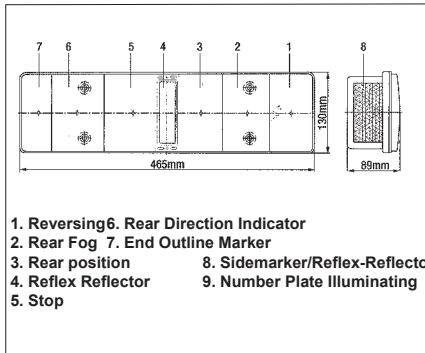
MID1012DP R.H.
5 FUNCTION TAIL LAMP INCLUDING R/FOG

MID1013 LENS REPLACEMENT R.H.

MID1014 LENS REPLACEMENT L.H.
DOUBLE REAR PLUG

IVECO Eurocargo

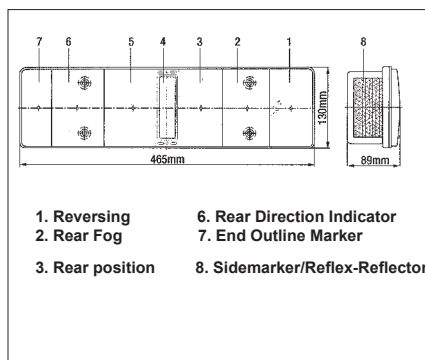
COMBINATION REAR LAMP



MID1191
9 FUNCTION TAIL LAMP "PLAIN LENS"
INCLUDING 6 PIN REAR SCHLEMMER PLUG

DAF

COMBINATION REAR LAMP



MID1197 L.H. MID1198 R.H.
9 FUNCTION TAIL LAMP "PLAIN LENS"
REAR CABLE ENTRY

MID1199
AS ABOVE INCLUDING N/PLATE

COMBINATION REAR LAMP



MID1178 R.H.
REAR COMBINATION LAMP INCLUDING REAR
CABLE ENTRY.

MID1174
LENS

SCANIA

COMBINATION REAR LAMP



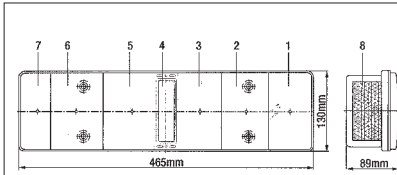
MID1175 R.H. MID1176 L.H.
REAR COMBINATION LAMP, SIDE 6 PIN
SCHLEMMER PLUG

MID1177
AS ABOVE INCLUDING N/PLATE LAMP

MID1180L.H
REAR COMBINATION LAMP INCLUDING
REAR DAF 6 PIN PLUG

MID1181R.H
AS ABOVE INCLUDING N/PLATE LAMP

COMBINATION REAR LAMP



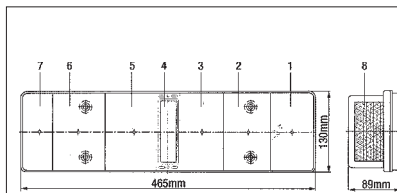
- 1. Reversing
- 2. Rear Fog
- 3. Rear position
- 4. Reflex Reflector
- 5. Stop
- 6. Rear Direction Indicator
- 7. End Outline Marker
- 8. Sidemarker/Reflex-Reflector
- 9. Number Plate Illuminating

MID1191

9 FUNCTION TAIL LAMP "PLAIN LENS"
INCLUDING 6 PIN REAR SCHLEMMER PLUG

DAF

COMBINATION REAR LAMP



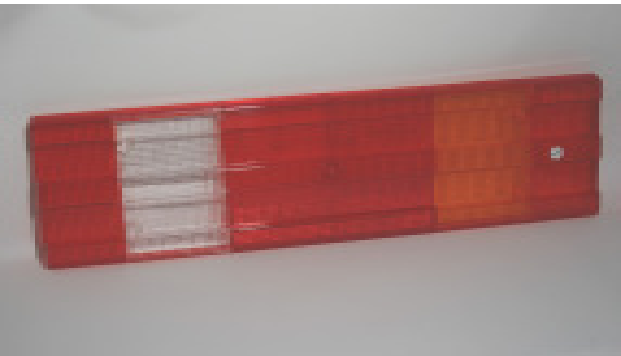
- 1. Reversing
- 2. Rear Fog
- 3. Rear position
- 4. Reflex Reflector
- 5. Stop
- 6. Rear Direction Indicator
- 7. End Outline Marker
- 8. Sidemarker/Reflex-Reflector
- 9. Number Plate Illuminating

MID1197 L.H. MID1198 R.H.
9 FUNCTION TAIL LAMP "PLAIN LENS"
REAR CABLE ENTRY

MID1199
AS ABOVE INCLUDING N/PLATE

Universal Fitting

COMBINATION REAR LAMP



MID1183

MERCEDES RIBBED LENS

COMBINATION REAR LAMP



MID1184

REAR COMBINATION LAMP SIDE MOUNTED
6 PIN SCHLEMMER PLUG INCLUDING
N/PLATE LAMP

COMBINATION REAR LAMP

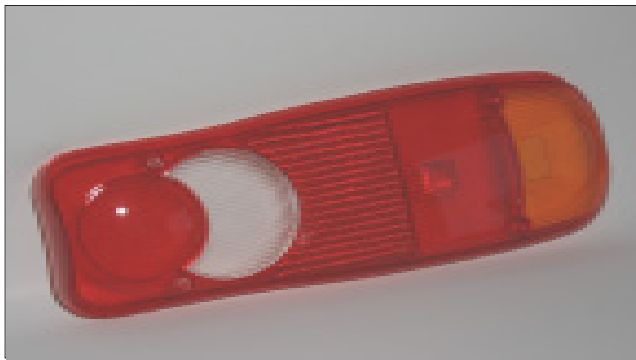


MID1166
REAR LAMP

MID1186
INCLUDING N/PLATE LAMP

DAF LF/RENAULT PLUG

COMBINATION REAR LAMP



MID1167

REAR LENS

DAF LF/RENAULT

COMBINATION REAR LAMP



MID1168 R.H MID1185 L.H
REAR COMBINATION LAMP EXCLUDING BULB HOLDERS

FIAT DUCATO

COMBINATION REAR LAMP

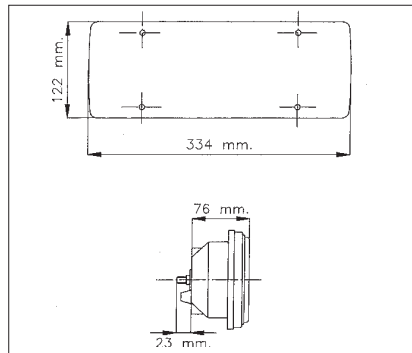
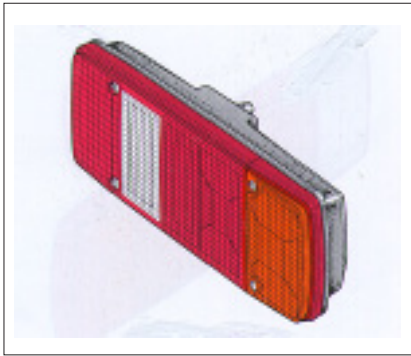


MID1187 R.H. MID1186 L.H.
REAR COMBINATION LAMP
INCLUDING BULB HOLDERS

FIAT DUCATO 94

COMBINATION REAR LAMPS & LENSES

COMBINATION REAR LAMP

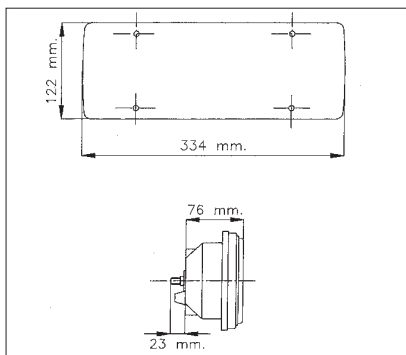


MID1017 R.H. MID1018 L.H.
STOP-TAIL-FLASHER-REAR FOG-REVERSING
LAMP. HORIZONTAL OR VERTICAL FLUSH/
SURFACE MOUNTING.

MID 1022
LENS REPLACEMENT

UNIVERSAL FIT, TRAILERS ETC.

COMBINATION REAR LAMP

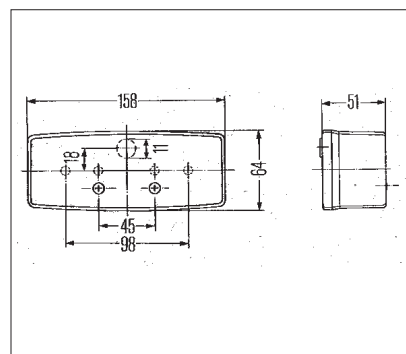


MID1021
STOP-TAIL-FLASHER-REAR FOG-REVERSING
LAMP INCLUDING N/PLATE. HORIZONTAL
OR VERTICAL FLUSH/SURFACE MOUNTING.

MID 1022
LENS REPLACEMENT

MERCEDES, MAN, VOLKSWAGEN
UNIVERSAL FIT, TRAILERS ETC.

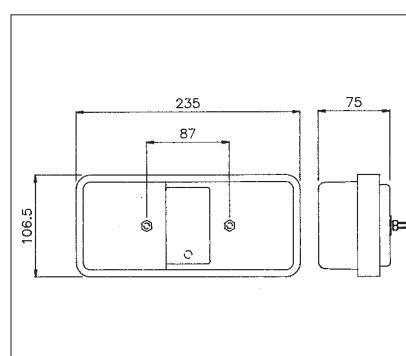
COMBINATION REAR LAMP



MID1019 R.H. MID1020 L.H.
STOP TAIL FLASHER LAMP
HORIZONTAL OR VERTICAL SURFACE
MOUNTING

UNIVERSAL FITTING

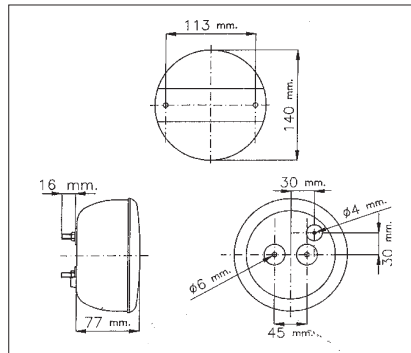
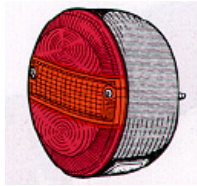
COMBINATION REAR LAMP



MID1023
STOP-TAIL-FLASHER LAMP WITH REFLEX
REFLECTOR

FORD TRANSIT, CARGO

COMBINATION REAR LAMP

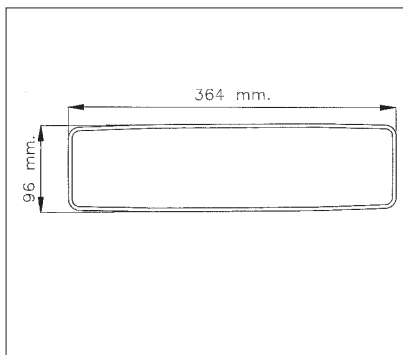
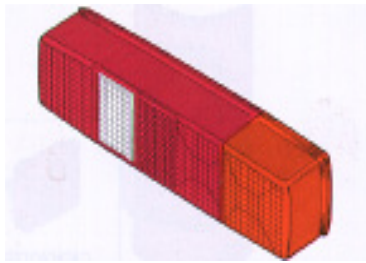


MID1024
TAIL-STOP-FLASHER LAMP
HORIZONTAL SURFACE MOUNTING

MID1025
LENS REPLACEMENT

UNIVERSAL FITTING

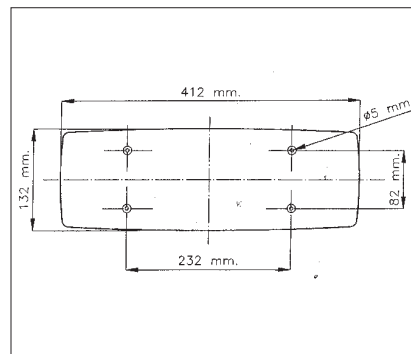
COMBINATION REAR LAMP LENS



MID1026
TAIL-STOP-FLASHER-REAR FOG-REFLEX
& REVERSE

**FORD TRANSIT, LEYLAND, MERCEDES
DAF, SCANIA, MAN,RENAULT, VOLVO**

COMBINATION REAR LAMP LENS

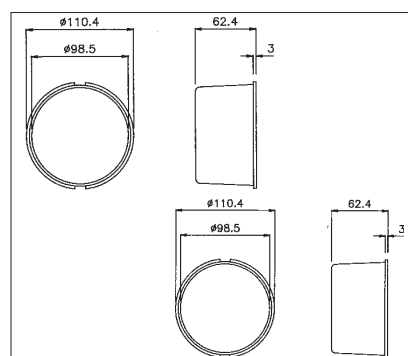


MID1027
TAIL-STOP-FLASHER-REAR FOG & REVERSE

MID1028
AS ABOVE BUT WITH REFLEX REFLECTOR

DAF AND RENAULT TRUCKS 1983

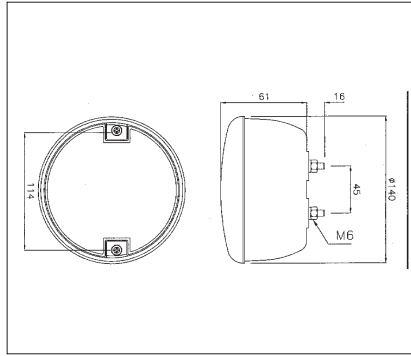
COMBINATION REAR LAMP LENS



MID1029
REAR STOP LENS WITH NUMBER PLATE

MID1030
FLASHER LENS

COMBINATION REAR LAMP

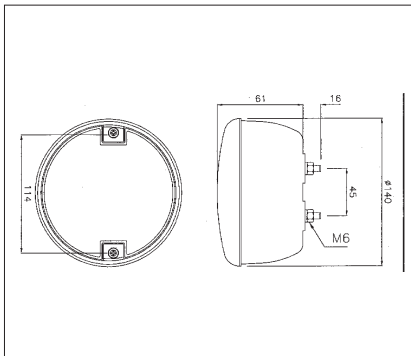


MID1031
LED TAIL-STOP-FLASHER LAMP
24 VOLT

LOADING MODULE FOR INDICATOR LAMP
MAY BE REQUIRED.

UNIVERSAL FITTING

COMBINATION REAR LAMP



MID1032
LED TAIL & STOP LAMP.
24 VOLT

UNIVERSAL FITTING

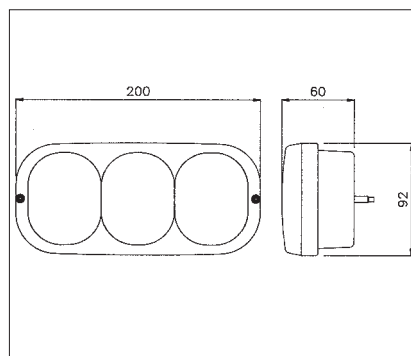
COMBINATION REAR LAMP



MID1033 R.H. MID1034 L.H.
STOP-TAIL-FLASHER & REVERSE

MERCEDES SPRINTER

COMBINATION REAR LAMP

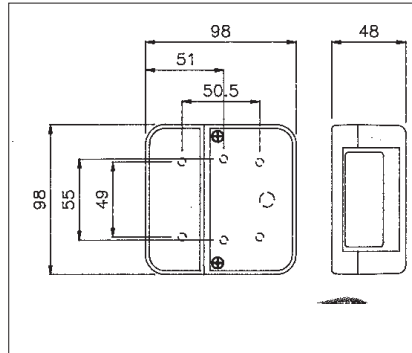


MID1035
POSITION-STOP-FLASHER & REFLEX
REFLECTOR
INTEGRAL 4 WAY CONNECTOR
HORIZONTAL OR VERTICAL SURFACE
MOUNTING

JCB BACKHOE 3CX LOADER

COMBINATION REAR LAMPS & LENSES

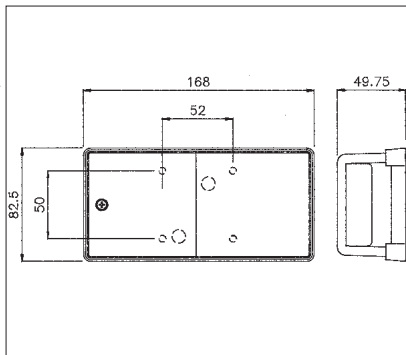
COMBINATION REAR LAMP



MID1036
POSITION-STOP-FLASHER-N/PLATE &
REFLEX REFLECTOR. HORIZONTAL OR
VERTICAL SURFACE MOUNTING

**TRAILER BOARDS/UNIVERSAL
FITTING**

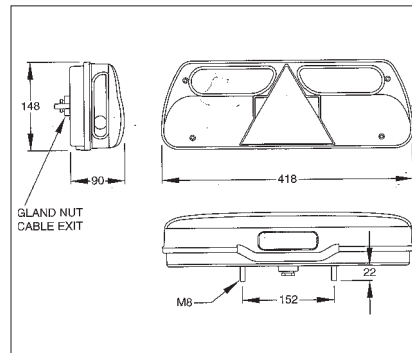
COMBINATION REAR LAMP



MID1037
POSITION-STOP-FLASHER-N/PLATE &
REFLEX REFLECTOR HORIZONTAL OR
VERTICAL SURFACE MOUNTING

**TRAILER BOARDS/UNIVERSAL
FITTING**

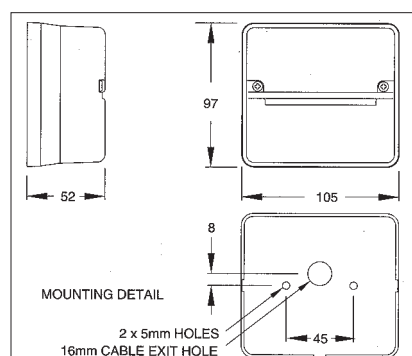
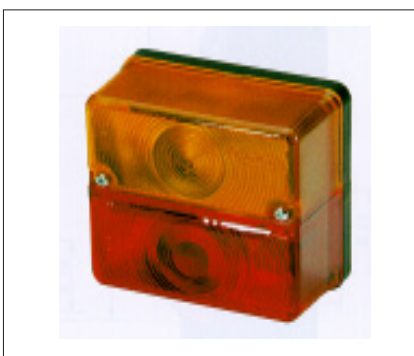
COMBINATION REAR LAMP



MID1038 R.H. MID1039 L.H.
END OUTLINE MARKER-POSITION/STOP
-FLASHER REVERSE-FOG-AMBER
SIDE MARKER-N/PLATE
AMBER SIDE REFLECTOR-TRIANGULAR
REFLECTOR

UNIVERSAL FITTING

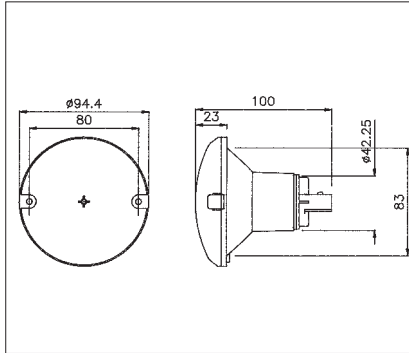
COMBINATION REAR LAMP



MID1040
TAIL-STOP-FLASHER-N/PLATE

UNIVERSAL FITTING

COMBINATION REAR LAMP



MID1041
STOP-TAIL

UNIVERSAL FITTING

COMBINATION REAR LAMP



MID998 R.H. MID999 L.H.
STOP-TAIL FLASHER & REVERSE

FORD TRANSIT 2000

COMBINATION REAR LAMP



MID1192
ROUND STOP LAMP

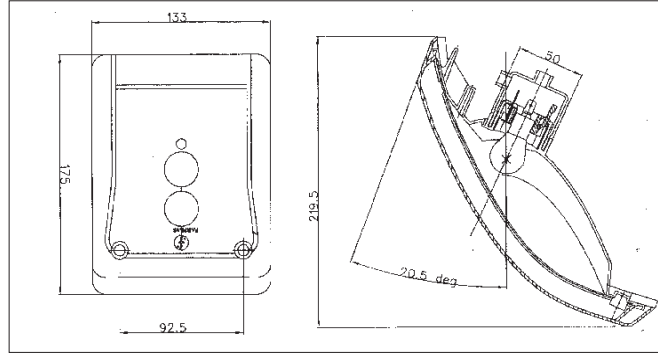
MID1193
ROUND FOG LAMP

COMBINATION REAR LAMP



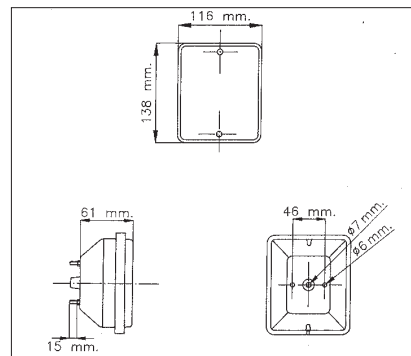
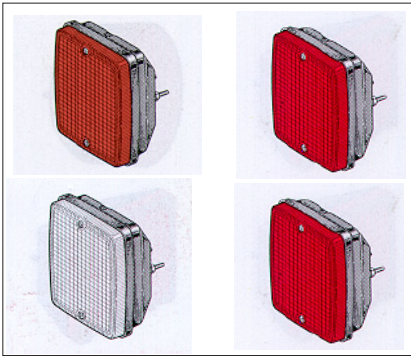
MID1194
ROUND REVERSE LAMP

REAR LAMP



- MID1042** FOG
 - MID1043** FLASHER
 - MID1044** REVERSE
 - MID1045** STOP
 - MID1122** STOP-TAIL
- FOR HORIZONTAL FLUSH MOUNTING.

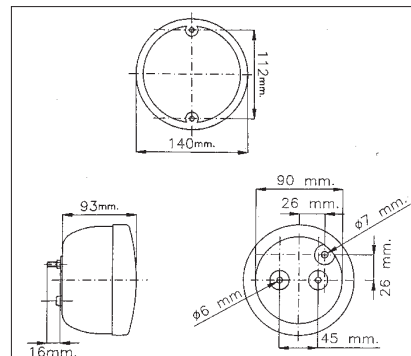
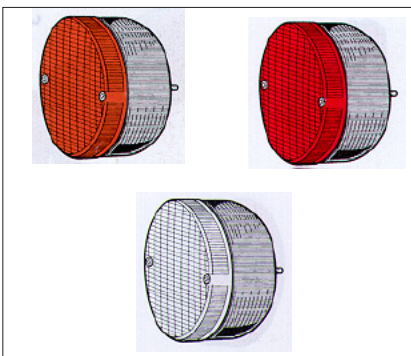
REAR LAMP



- Mi** FLASHER
- MID1047** FLASHER LENS
- MID1048** TAIL
- MID1049** TAIL LENS
- MID1050** STOP
- MID1051** STOP LENS
- MID1052** REVERSE
- MID1053** REVERSE LENS
- MID1054** FOG
- MID1055** FOG LENS FOR HORIZONTAL OR VERTICAL FLUSH/SURFACE MOUNTING

UNIVERSAL FITTING

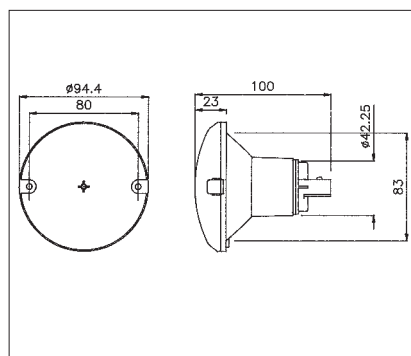
REAR LAMP



- MID1056** FLASHER
- MID1057** FLASHER LENS
- MID1058** FOG
- MID1059** FOG LENS
- MID1060** REVERSE
- MID1061** REVERSE LENS FOR HORIZONTAL SURFACE MOUNTING

UNIVERSAL FITTING

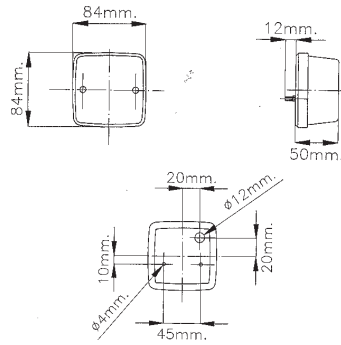
REAR LAMP



- MID1062** AMBER FLASHER LAMP
- MID1063** RED TAIL LAMP
- MID1064** RED STOP LAMP
- MID1065** RED FOG LAMP
- MID1066** CLEAR REVERSE LAMP

UNIVERSAL FITTING

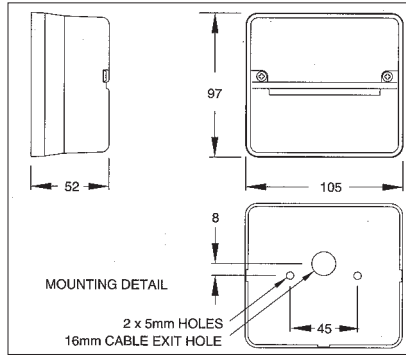
FRONT SIDE FLASHER LAMP



MID1067
AMBER FLASHER LAMP WITH CLEAR
SIDE LAMP

UNIVERSAL FITTING

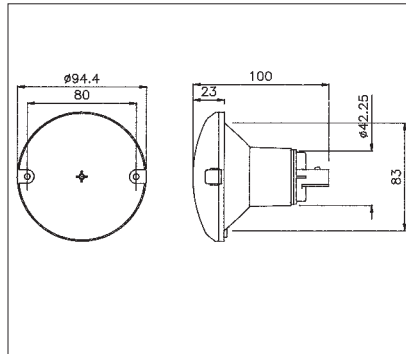
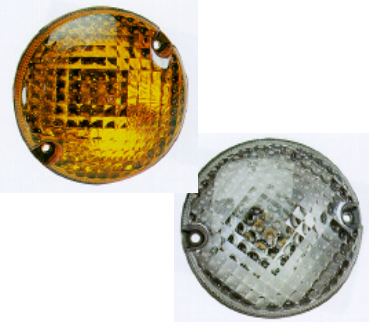
FRONT SIDE FLASHER LAMP



MID1068
AMBER FLASHER LAMP WITH CLEAR
SIDE LAMP

UNIVERSAL FITTING

FRONT LAMP

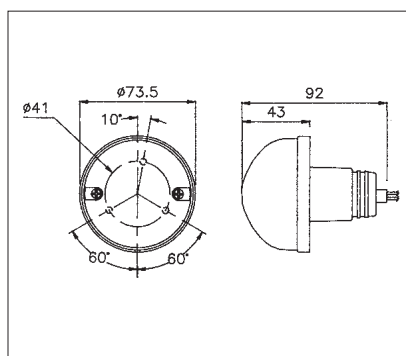


MID1069
AMBER FLASHER LAMP

MID1070
CLEAR SIDE LAMP

UNIVERSAL FITTING

FRONT LAMP



MID1071
AMBER FLASHER LAMP

UNIVERSAL FITTING

FRONT SIDE FLASHER LAMP



MID1202 L.H.

MID1203 R.H.

SCANIA SERIES 4 FLASHER LAMP

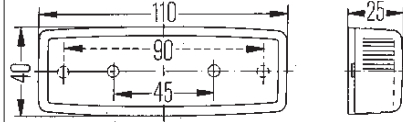
LED LAMP



MID1179
LED LAMP

UNIVERSAL FITTING

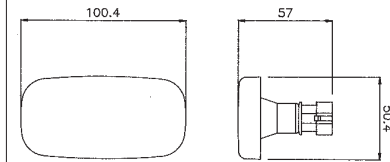
MARKER LAMP



MID1072
AMBER SIDE MARKER LAMP WITH REFLEX REFLECTOR

UNIVERSAL FITTING

MARKER LAMP AM10 RANGE



MID1073
AMBER SIDE MARKER LAMP WITH REFLEX REFLECTOR

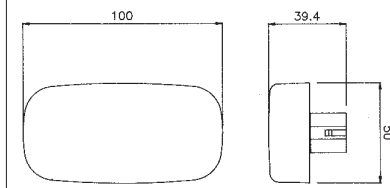
MID1074
CLEAR POSITION LAMP WITH REFLEX REFLECTOR

MID1075
RED REAR MARKER LAMP WITH REFLEX REFLECTOR.

MID1076
GREEN ABS WARNING LAMP.

UNIVERSAL FITTING

MARKER LAMP AM11 RANGE



MID1077
AMBER SIDE LED MARKER LAMP WITH REFLEX REFLECTOR

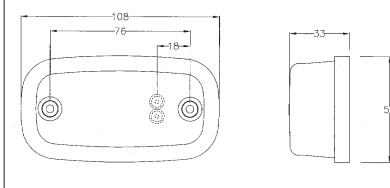
MID1078
CLEAR LED POSITION LAMP WITH REFLEX REFLECTOR.

MID1079
RED REAR LED MARKER LAMP WITH REFLEX REFLECTOR

MID1080
GREEN ABS LED WARNING LAMP

UNIVERSAL FITTING

MARKER LAMP AM18 RANGE



MID1081
AMBER SIDE LED MARKER LAMP WITH REFLEX REFLECTOR

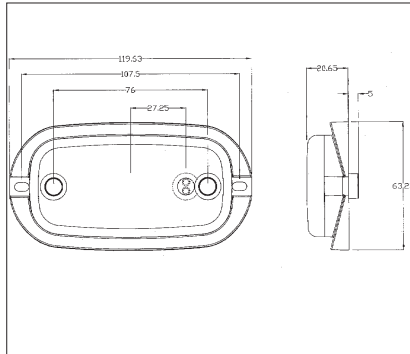
MID1082
CLEAR LED POSITION LAMP WITH REFLEX REFLECTOR

MID1083
RED REAR LED MARKER LAMP WITH REFLEX REFLECTOR.

MID1084
GREEN ABS LED WARNING LAMP

UNIVERSAL FITTING

MARKER LAMP AM20 RANGE



MID1085
AMBER SIDE LED MARKER LAMP WITH REFLEX REFLECTOR.

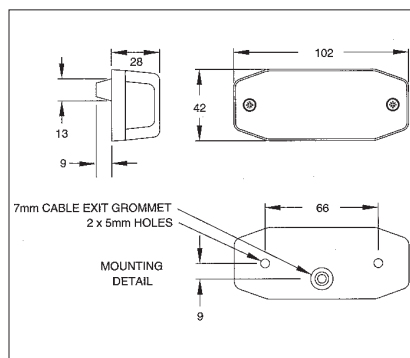
MID1086
CLEAR LED POSITION LAMP WITH REFLEX REFLECTOR.

MID1087
RED REAR LED MARKER LAMP WITH REFLEX REFLECTOR.

MID1088
GREEN ABS LED WARNING LAMP

UNIVERSAL FITTING

MARKER LAMP AM10 RANGE



MID1089
AMBER SIDE MARKER LAMP WITH REFLEX REFLECTOR.

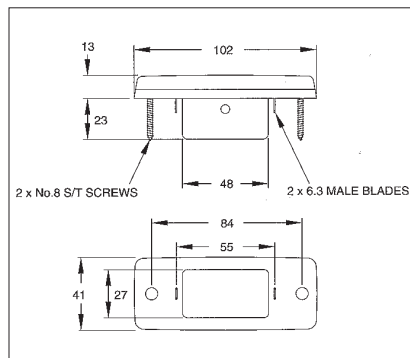
MID1090
CLEAR POSITION LAMP WITH REFLEX REFLECTOR.

MID1091
RED REAR MARKER LAMP WITH REFLEX REFLECTOR.

MID1092
GREEN ABS WARNING LAMP

UNIVERSAL FITTING

MARKER LAMP



MID1093
AMBER SIDE MARKER LAMP WITH REFLEX REFLECTOR.

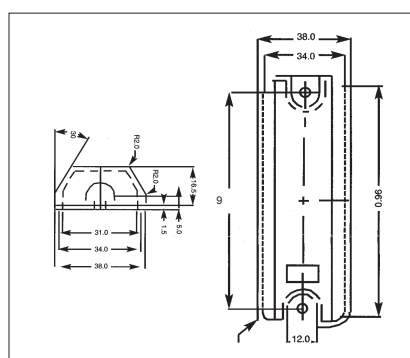
MID1094
CLEAR POSITION LAMP WITH REFLEX REFLECTOR.

MID1095
RED REAR MARKET LAMP WITH REFLEX REFLECTOR.

MID1096
GREEN ABS LED WARNING LAMP.

UNIVERSAL FITTING

MARKER LAMP



MID1123
AMBER SIDE LED MARKER LAMP

MID1124
CLEAR LED POSITION LAMP

MID1125
RED REAR LED MARKER LAMP

MID1126
4 PACK (2 x RED & 2 x CLEAR)

UNI-

MARKER LAMP



MID1171
AMBER MARKER

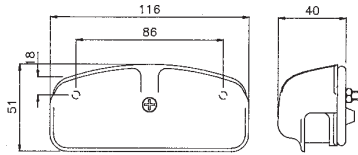
MARKER LAMP



MID1170
WHITE

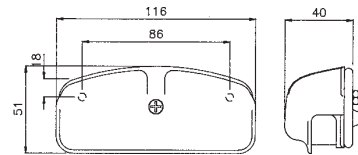
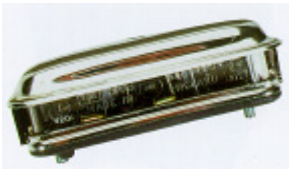
MID1169

NUMBER PLATE LAMP



MID1097
BLACK PLASTIC No. PLATE LAMP

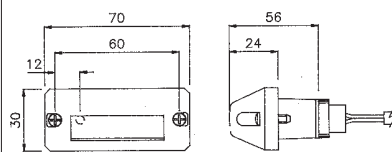
NUMBER PLATE LAMP



MID1098
CHROMED PLASTIC No. PLATE LAMP

UNIVERSAL FITTING

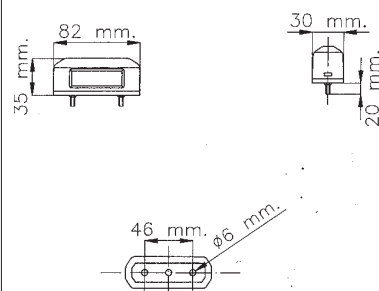
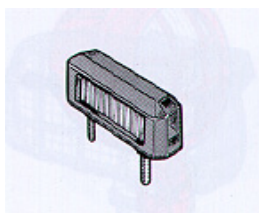
NUMBER PLATE LAMP



MID1099
BLACK PLASTIC No. PLATE LAMP

FREIGHT ROVER, RANGE ROVER

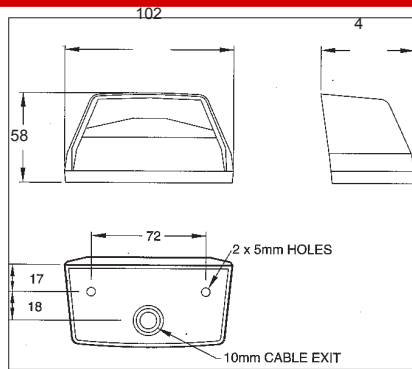
NUMBER PLATE LAMP



MID1100
BLACK PLASTIC No. PLATE LAMP

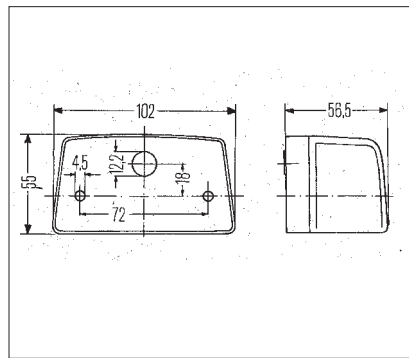
UNIVERSAL FITTING

NUMBER PLATE LAMP



MID1101
No. PLATE LAMP

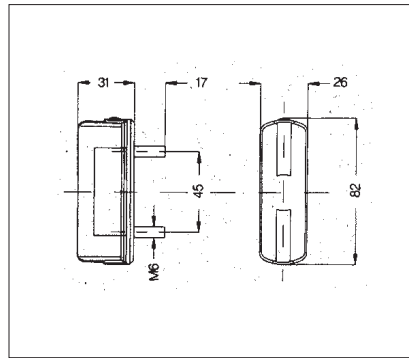
NUMBER PLATE LAMP



MID1158
No. PLATE LAMP

UNIVERSAL FITTING

NUMBER PLATE LAMP



MID1159
No. PLATE LAMP

UNIVERSAL FITTING

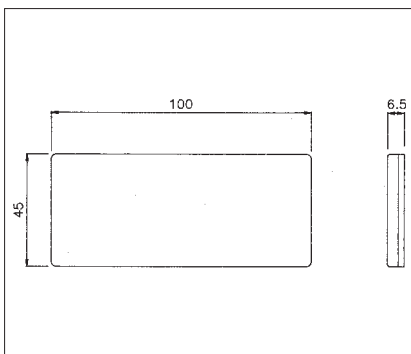
NUMBER PLATE LAMP



MID1189
No. PLATE LAMP

UNIVERSAL FITTING

REFLEX REFLECTOR

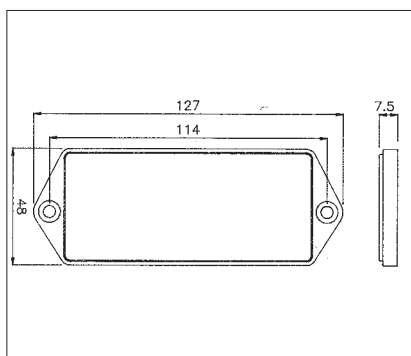
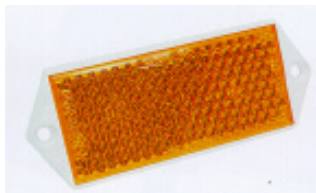


MID1102
REFLEX-CLEAR

MID1103
REFLEX-RED

MID1104
REFLEX-AMBER
MOULDED ACRYLIC SELF ADHESIVE BACK

REFLEX REFLECTOR

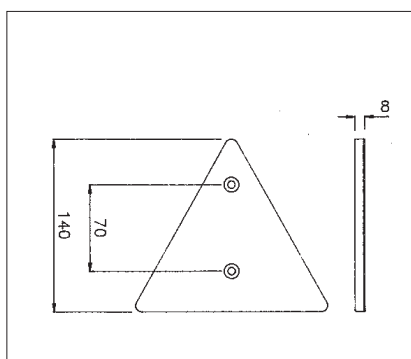


MID1105
REFLEX-CLEAR

MID1106
REFLEX-RED

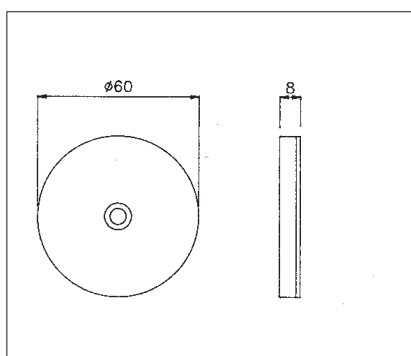
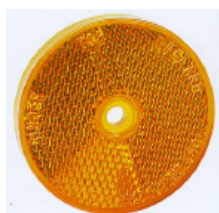
MID1107
REFLEX-AMBER
MOULDED ACRYLIC SELF ADHESIVE BACK

REFLEX REFLECTOR



MID1108 REFLEX CLEAR
MOULDED ACRYLIC

REFLEX REFLECTOR



MID1109
REFLEX-CLEAR

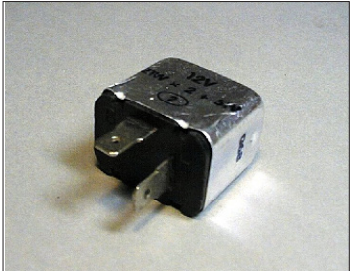
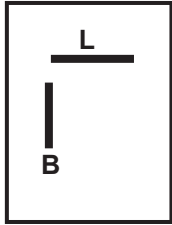
MID1110
REFLEX-RED

MID1111
REFLEX-AMBER
MOULDED ACRYLIC

MID2001

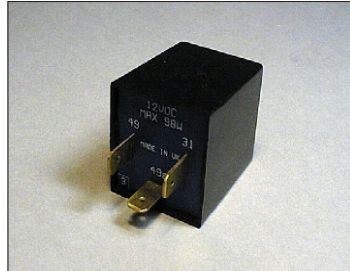
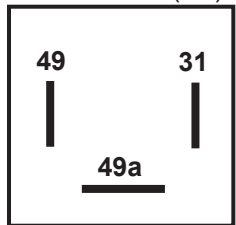
THERMAL TYPE

12V - MAX 47W
21w x 2 + (5w)

ELECTRONIC TYPE


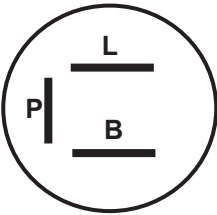
12V - MAX 98W
21w x 4 + (2 x 5w)
21w x 2 + (5w)

MID2003

THERMAL TYPE

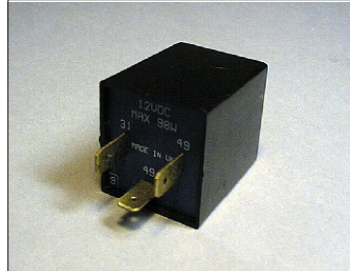
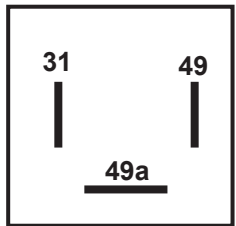
12V - MAX 47W
21w x 2 + (5w)

MID2004

ELECTRONIC TYPE

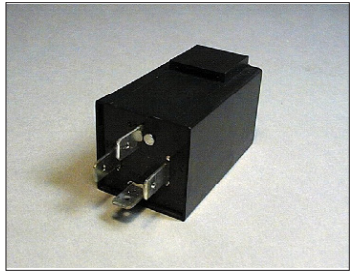
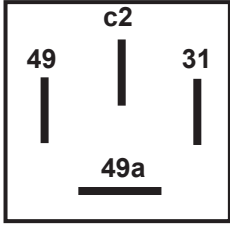
12V - MAX 98W
21w x 4 + (2 x 5w)
21w x 2 + (5w)

MID2005

SOLID STATE TYPE



24V - MAX 140W
21w x 6 + (2 x 5w)
21w X (2 + 1w)
(With metal detachable bracket)

MID2006

ELECTRONIC TYPE

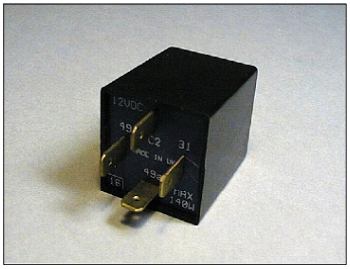
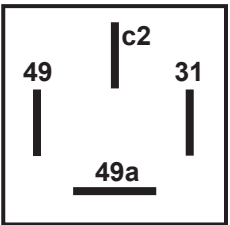
24V - MAX 140W
21w x 6 + (2 x 5w)
21w x (2 + 1) + (5w)

MID2007

ELECTRONIC TYPE

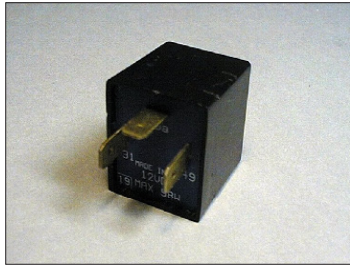
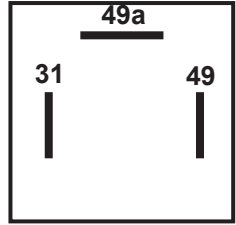
12V - MAX 140W
21w x 6 + (2 x 5w)
21w x (2 + 1) + (5w)

MID2008

THERMAL TYPE

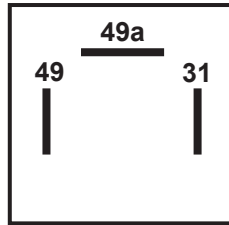
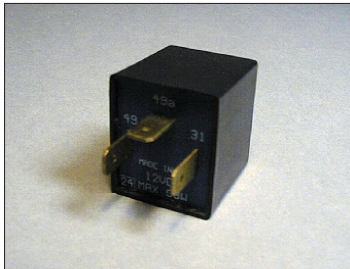
12V - MAX 98W
21w x 4 + (2 x 5w)
21w x 2 + (5w)

MID2009

ELECTRONIC TYPE

12V - MAX 98W
21w x 4 + (2x5w)
21w x 2 + (5w)



MID2010

ELECTRONIC TYPE

12V - MAX 98W
21w x 6 + (2x5w)
21w x (2+1) + (5w)
With Bracket



MID2011

ELECTRONIC TYPE

12V - MAX 98W
21w x 6 + (2x5w)
21w x (2+1) + (5w)
Without Bracket



MID2012

ELECTRONIC TYPE

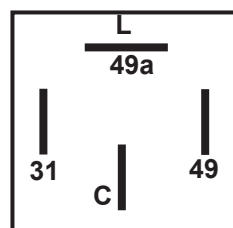
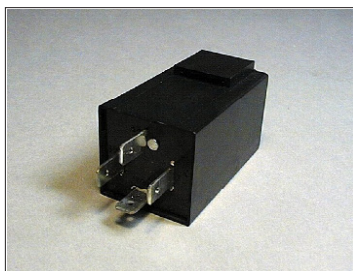
12V - MAX 98W
21w x 3 + 1
21w x 8



MID2013

ELECTRONIC TYPE

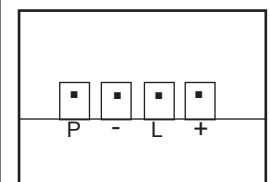
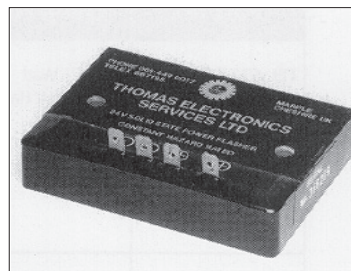
24V - MAX 200W



MID2014

SOLID STATE TYPE

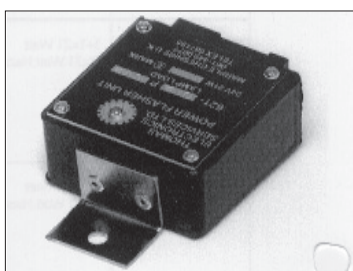
21w x 2 + 1



MID2015

SOLID STATE TYPE

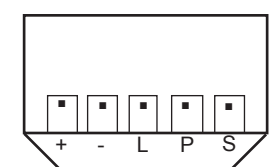
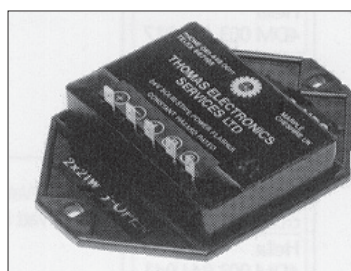
21w x 2 + 1
(21w x 6 Hazard)



MID2016

SOLID STATE TYPE

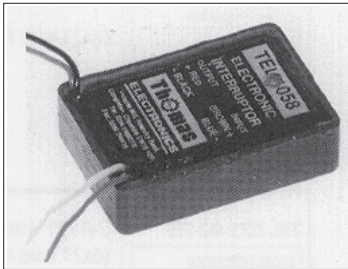
21w x 2
(21w x 4 Hazard)
21w x 2 + 1
(21w x 6 Hazard)



MID2017

SOLID STATE TYPE

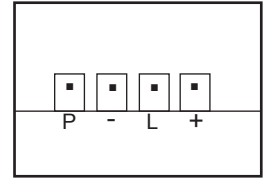
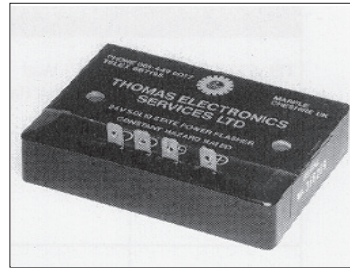
24V - MAX 9W
Interrupter Unit



MID2018

SOLID STATE TYPE

21w x 4
For flashing beacons
or horn interrupter

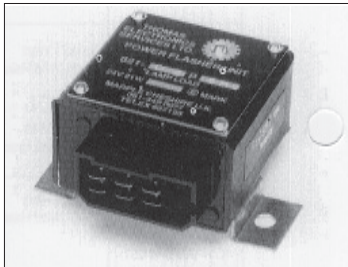


MID2019

SOLID STATE TYPE

21w x 2 + 1
(21w x 6 Hazard)

**VARIETY OF EUROPEAN
VEHICLES**

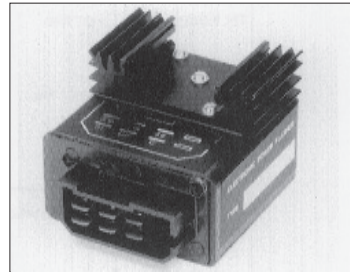


MID2020

SOLID STATE TYPE

12V - MAX 98W
21w x 3 + 1
21w x 8

LEYLAND, VOLVO

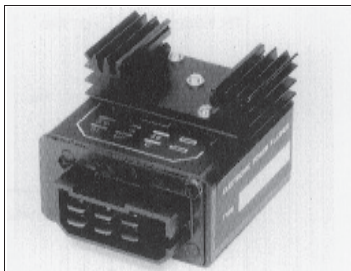


MID2021

SOLID STATE TYPE

21w x 3 + 1
(21w X 6 Hazard)

**MERCEDES, VAN HOOL
PLAXTON, LEYLAND
OPTARE**

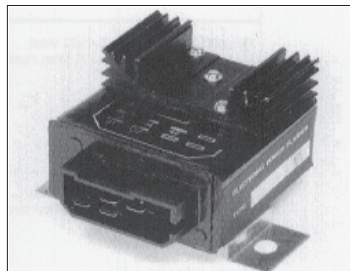


MID2022

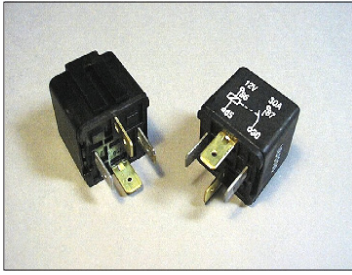
SOLID STATE TYPE

21w x 4 + 1
(21w x 10 Hazard)

SETRA, KASBOHRER



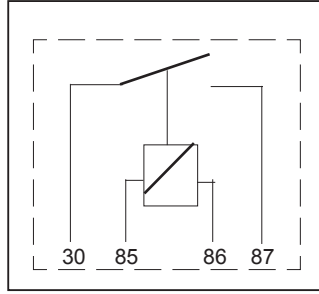
MID3001 & MID3002



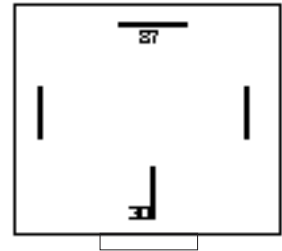
SUGGESTED APPLICATIONS

RADIATOR FAN SWITCH,
AIR CONDITIONING, SINGLE
HORN AND ELECTRIC
WINDOW

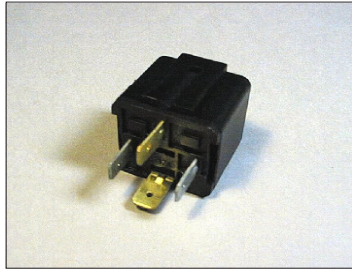
NORMALLY OPEN CONTACT WITH DETACHABLE OR
MOULDED BRACKET



TERMINAL



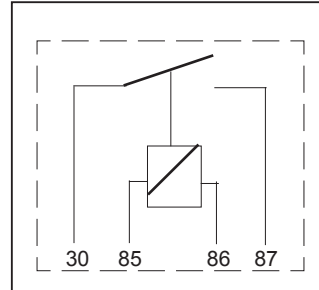
MID3003



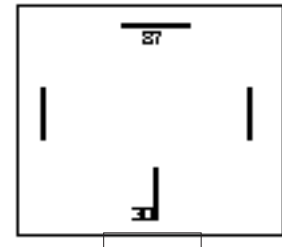
SUGGESTED APPLICATIONS

RADIATOR FAN SWITCH,
AIR CONDITIONING, SINGLE
HORN AND ELECTRIC
WINDOW

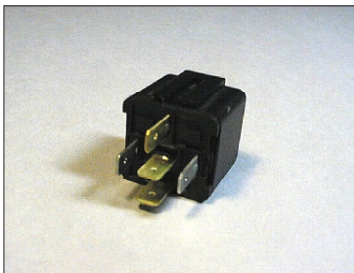
NORMALLY OPEN CONTACT WITH DETACHABLE OR
MOULDED BRACKET



TERMINAL

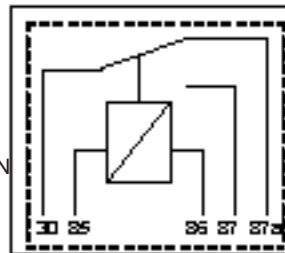


MID3004



SUGGESTED APPLICATIONS

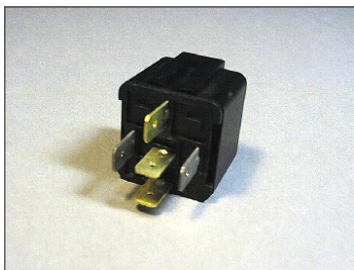
LIGHTING, HEATED REAR WINDOW,
AERIAL, REAR SINGLE FOG LAMP,
DOOR CONTROL, AUTOMATIC
TRANSMISSIONS, ENGINE BRAKES,
ELECTRIC SUNROOF, AIR
CONDITIONING SYSTEMS, AND TWIN
PETROL PUMPS



TERMINAL

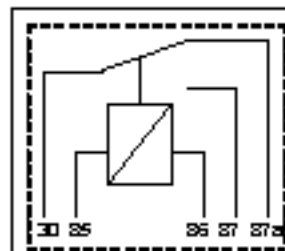


MID3005

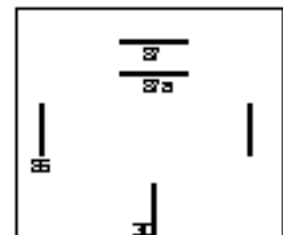


SUGGESTED APPLICATIONS

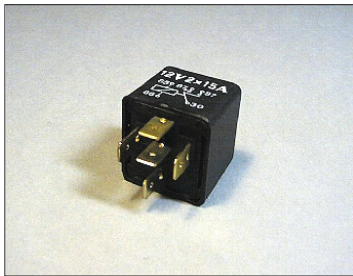
LIGHTING, HEATED REAR WINDOW,
AERIAL, REAR SINGLE FOG LAMP,
DOOR CONTROL, AUTOMATIC
TRANSMISSIONS, ENGINE BRAKES,
ELECTRIC SUNROOF, AIR
CONDITIONING SYSTEMS, AND TWIN
PETROL PUMPS



TERMINAL



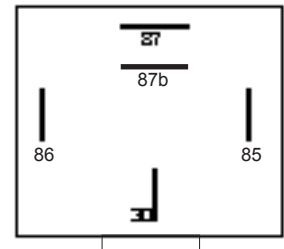
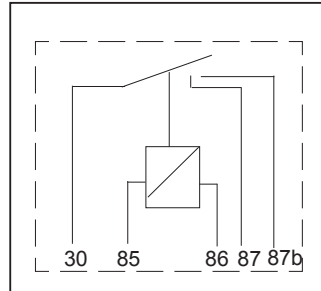
MID3006



SUGGESTED APPLICATIONS

DRIVING LAMPS, TWIN HORNS,
TWIN REAR FOG LAMPS AND
ALARMS

DOUBLE CONTACTS NORMALLY OPEN WITH DETACHABLE
BRACKET



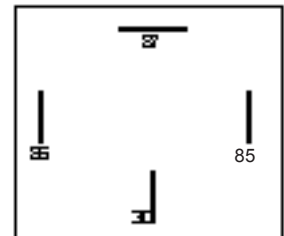
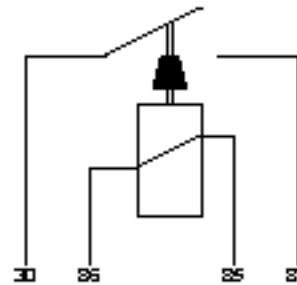
MID3007



APPLICATION

UNIVERSAL

24V/20A NORMALLY OPEN

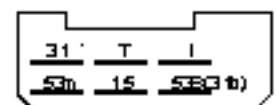
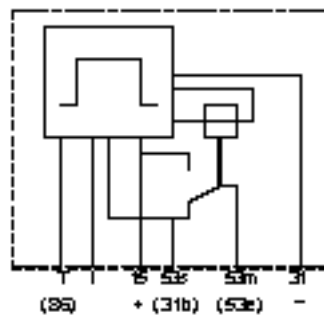


MID3008

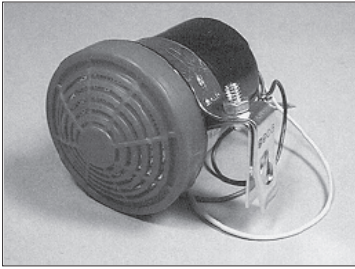


APPLICATION
MERCEDES BENZ

24V WASH WIPE CONTROL UNIT

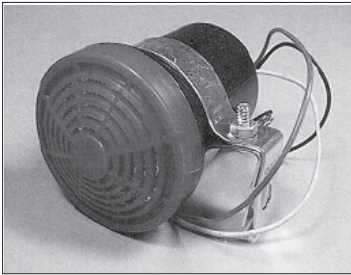


REVERSE ALARM



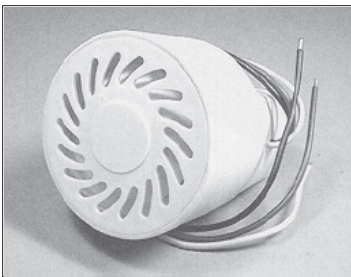
MID3101
12 VOLT REVERSING ALARM
HIGHLY EFFECTIVE REVERSING ALARM WITH BUILT-IN
'SILENT NIGHT' FACILITY
EMITS A LOUD BUZZ GIVING 85db @ 1 METRE
SPLASH PROOF SHELL
WILL OPERATE IN CONDITIONS BETWEEN $^{\circ}10$ C AND $^{\circ}60$ C

REVERSE ALARM



MID3102
24 VOLT REVERSING ALARM
HIGHLY EFFECTIVE REVERSING ALARM WITH BUILT-IN
'SILENT NIGHT' FACILITY
EMITS A LOUD BUZZ GIVING 85db @ 1 METRE
SPLASH PROOF SHELL
WILL OPERATE IN CONDITIONS BETWEEN $^{\circ}10$ C AND $^{\circ}60$ C

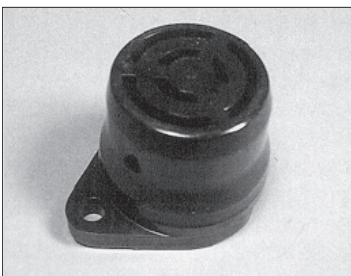
REVERSE ALARM



MID3103
12/24 VOLT HEAVY DUTY ALARM
SIMPLE TO FIT
SILENT NIGHT FACILITY
DUAL 12 OR 24 VOLTAGE
SOLID STATE ELECTRONICS
OVER VOLTAGE PROTECTION
EMITS A LOUD 96+ db BUZZ
REVERSE VOLTAGE PROTECTION

OPERATES BETWEEN -20° C AND $+50^{\circ}$ C
ELECTRONICS SEALED IN EPOXY TO
PROTECT AGAINST MUD, WATER & VIBRATION
SUPPLIED WITH NYLON LOCKING NUT &
PLATE WASHERS FOR STURDY FITMENT
DURABLE ABS PLASTIC CASING (STEAM
CLEAN PROOF AND PRESSURE WASHABLE)
MADE IN THE UK

BUZZER



MID3104
12/24 VOLT MINI BUZZER
MADE IN MOULDED ABS PLASTIC
WITH SINGLE HOLE FIXING
FOR USE WITH LOW PRESSURE
WARNING SWITCHES
MALE AND FEMALE TERMINALS
FOR EASE OF FITTING
BUZZERS EMIT A LOUD 85db
HIGH PITCHED TONE
MAXIMUM CURRENT 22ma

BUZZER

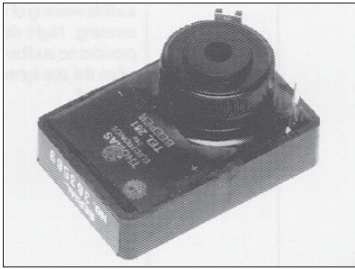


MID3105
12/24 VOLT COMPACT LOW AIR BUZZER
POTTED IN EPOXY RESIN FOR RESISTANCE
AGAINST SHOCK, VIBRATION AND WATER
INGRESS
BUZZER EMITS 90db AT 20cm
CURRENT DRAIN 25ma

APPLICATIONS

DENNIS, ERF, LEYLAND, VOLVO,
NORTHERN COUNTIES,
WALTER ALEXANDER

BUZZER

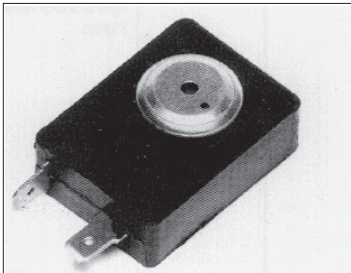


MID3106
12/24 VOLT ALARM
FOR USE WITH OUR RANGE OF SOLID
STATE FLASHER UNITS
EMITS 85db @ 1 METRE
CURRENT DRAIN 25ma

APPLICATIONS

BUS, TRUCK AND OFF ROAD

BUZZER

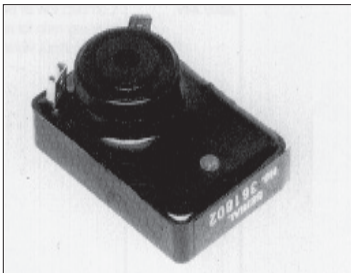


MID3107
24 VOLT ALARM
COMPACT SOLID STATE
FOR USE WITH SOLID STATE FLASHER UNIT
TO GIVE AUDIBLE INDICATION OF OPERATION
OF INDICATION LAMPS
7ms PULSE
CURRENT DRAIN 25ma

APPLICATIONS

**SEDDON ATKINSON, BUS, TRUCK,
WALTER ALEXANDER, OFF ROAD**

BUZZER

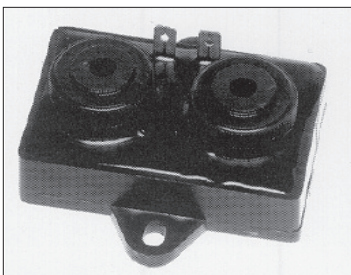


MID3108
9 - 30 VOLT ALARM
COMPACT SOLID STATE
FOR USE WITH ENGINE PROTECTION
SYSTEMS
POTTED IN EPOXY RESIN TO PROVIDE
RESISTANCE AGAINST SHOCK, VIBRATION
AND WATER INGRESS
EMITS 95db @ 1 METRE
CURRENT DRAIN 30ma

APPLICATIONS

**NORTHERN COUNTIES, BUS,
WALTER ALEXANDER, OFF ROAD,
DENNIS**

REVERSE ALARM



MID3109
9 - 30 VOLT TWIN PIEZO REVERSE WARNING
FULLY ENCAPSULATED IN EPOXY RESIN
EMITTING WARBLING NOTE OF 100db @ 1 METRE

APPLICATIONS

BUS, TRUCK, LIFT IN OPERATION

BUZZER

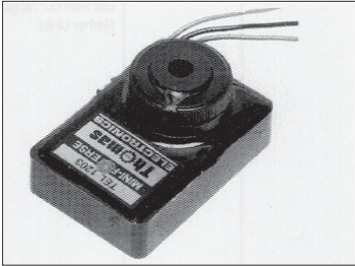


MID3110
12/24 VOLT INTERRUPTED BUZZER
COMPLETELY ENCAPSULATED IN EPOXY RESIN
FOR USE WITH EMERGENCY DOOR, LOW
AIR, BUS FULL ETC.
EMITS 90db @ 1 METRE

APPLICATIONS

**BUS, TRUCK, VOLVO, NORTHERN
COUNTIES, WALTER ALEXANDER**

REVERSE ALARM



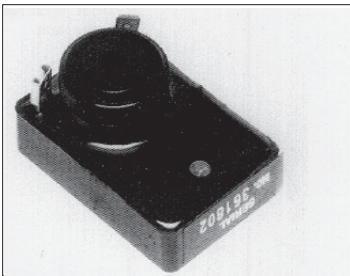
MID3111

9 - 30 VOLT MINI REVERSE WARNING
NIGHT SILENT FEATURE, PROVIDES
NO AUDIBLE WARNING WHEN SIDE
LIGHTS ARE ON
POTTED IN EPOXY RESIN
EMITS 95db @ 1 METRE
CURRENT DRAIN 35ma

APPLICATIONS

**BUS, TRUCK, DENNIS, ERF, VOLVO
WALTER ALEXANDER, LEYLAND
NORTHERN COUNTIES**

BUZZER



MID3112

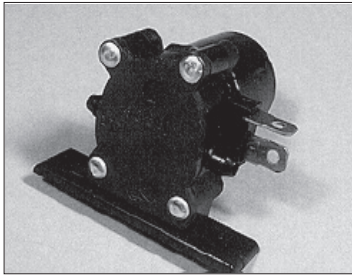
12/24 VOLT ALARM
COMPACT SOLID STATE
FOR USE WITH OUR RANGE OF SOLID
STATE FLASHER UNITS
EMITS 80db @ 1 METRE
CURRENT DRAIN 25ma

APPLICATIONS

**LEYLAND, VOLVO, BUS, TRUCK,
OFF ROAD**

WINDSCREEN WASHER PUMPS

MID4001 12V UNIVERSAL WASHER PUMP PUMP OUTPUT (FREE FLOW) = 1300ML/MINUTE



MAIN APPLICATIONS

AUSTIN

1100, 1300	1968 - 74
ALLEGRO	1973 - 83
MINI	1959 - 79

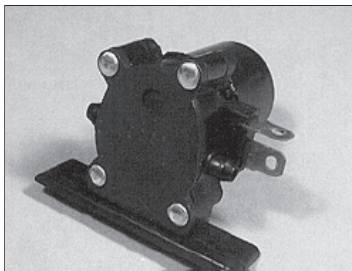
FORD

CAPRI	1976 - 88
CORTINA MK 1/2	1962 - 70
ESCORT MK 1/2	1968 - 80

OTHER APPLICATIONS INCLUDE

BEDFORD, CITROEN, FIAT, HILLMAN
LADA, LAND ROVER, LOYUS, MORGAN,
MORRIS, MG, RELIANT, ROVER, TALBOT,
TRIUMPH, TVR, VAUXHALL, WOLSELY
AND YUGO,

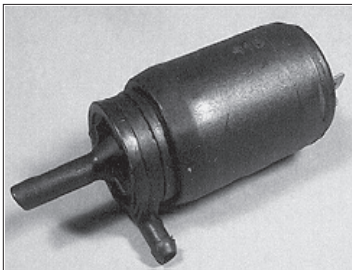
MID4002 24V UNIVERSAL WASHER PUMP PUMP OUTPUT (FREE FLOW) = 1600ML/MINUTE



SUITABLE FOR VARIOUS APPLICATIONS INCLUDING

AUSTIN
FORD

MID4003 12V DIRECT FIT WASHER PUMP PUMP OUTPUT (FREE FLOW) = 5500ML/MINUTE



MAIN APPLICATIONS

FIAT

UNO	1983 - 95
-----	-----------

VAUXHALL

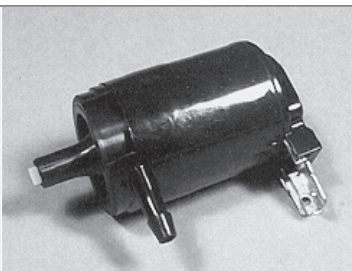
ASTRA	1980 - 91
ASTRA VAN	1982
BELMONT	1986 - 91
CARLTON	1978 - 94

CAVALIER	1975 - 95
NOVA	1983 - 93
SENATOR	1984 - 87
VECTRA (4 DOOR)	1995

OTHER APPLICATIONS INCLUDE

ALFA ROMEO, BMW, DAEWOO, JAGUAR, MERCEDES
BENZ, OPEL, RENAULT, ROVER, SAAB,
VOLKSWAGEN, VOLVO AND WARTBURG.

MID4004 DIRECT FIT WASHER PUMP PUSH IN TYPE PUMP OUTPUT (FREE FLOW) = 2700ML/MINUTE



MAIN APPLICATIONS

AUSTIN

AMBASSADOR	1982 - 91
MAXI	1968 - 81
METRO	1980 - 82
MINI	1979 - 82
MONTEGO	1984 - 90
PRINCESS	1975 - 82

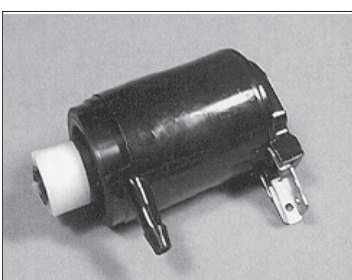
ROVER

ROVER SDI	1982 - 87
-----------	-----------

OTHER APPLICATIONS INCLUDE

LAND ROVER, LAND SHERPA, MORRIS AND RELIANT

MID4005 12V DIRECT FIT WASHER PUMP THREADED TYPE PUMP OUTPUT (FREE FLOW) = 2700ML/MINUTE



MAIN APPLICATIONS

AUSTIN

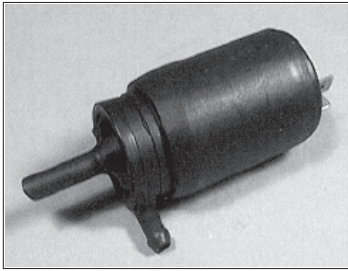
METRO	1982 - 90
BEDFORD	
CF VAN	1982 - 88
CHEVANNE	1976 - 83
ROVER	
800 SERIES	
SALLON	1986

VAUXHALL

VIVA	1975 - 79
------	-----------

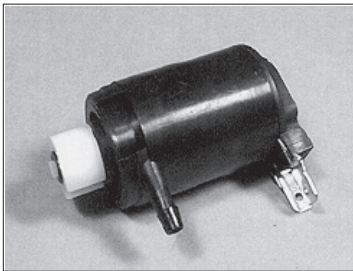
RENAULT

MID4006 24V DIRECT FIT WASHER PUMP PUMP OUTPUT (FREE FLOW) = 2200ML/MINUTE



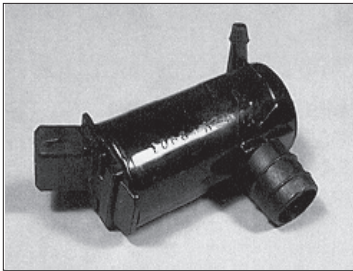
SUITABLE FOR VARIOUS APPLICATIONS

MID4007 24V DIRECT FIT WASHER PUMP PUMP OUTPUT (FREE FLOW) = 2700ML/MINUTE



SUITABLE FOR ERF, FODEN, LEYLAND AND SEDDON ATKINSON

MID4008 12V DIRECT FIT WASHER PUMP PUMP OUTPUT (FREE FLOW) = 1800ML/MINUTE



MAIN APPLICATIONS

CITROEN

AX (P5284)	1986
BX	1983 - 94

FORD

ESCORT MK5	1990 - 95
FIESTA	1983 - 89
GRANADA	1985 - 95

SCORPIO	1989 - 95
SIERRA (4 DOOR)	1982 - 93

MID4009 12V DIRECT FIT WASHER PUMP PUMP OUTPUT (FREE FLOW) = 2400ML/MINUTE

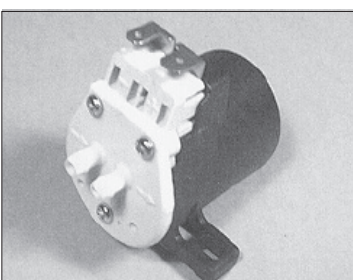


MAIN APPLICATIONS

FORD

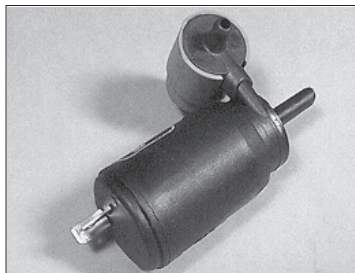
ESCORT (MK4)	1986 - 90
ESCORT (MK5)	1990 - 95
FIESTA	1989 - 95
ORION	1990 - 93
SIERRA (5DOOR)	1982 - 93

MID4010 24V UNIVERSAL WASHER PUMP PUMP OUTPUT (FREE FLOW) = 1000ML/MINUTE



SUITABLE FOR VARIOUS APPLICATIONS

MID4011 12V WASHER PUMP PUMP OUTPUT (FREE FLOW) = 3000ML/MINUTE



MAIN APPLICATIONS

FIAT
TIPO
VAUXHALL
ASTRA
ASTRA (HATCHBACK)
CALIBRA
CAVALIER (HATCHBACK)
CORSA

	NOVA	1983 - 93
	TIGRA	1994
	VECTRA (5 DOOR)	1995
	VOLKSWAGEN	
	CORRADO	1989 - 91
	CAVALIER (HATCHBACK)	1978 - 94
	GOLF (From chassis 19-G-383356)	1986 - 92
	PASSAT	1988
	POLO	1994
	OTHER APPLICATIONS INCLUDE	OPEL

1988

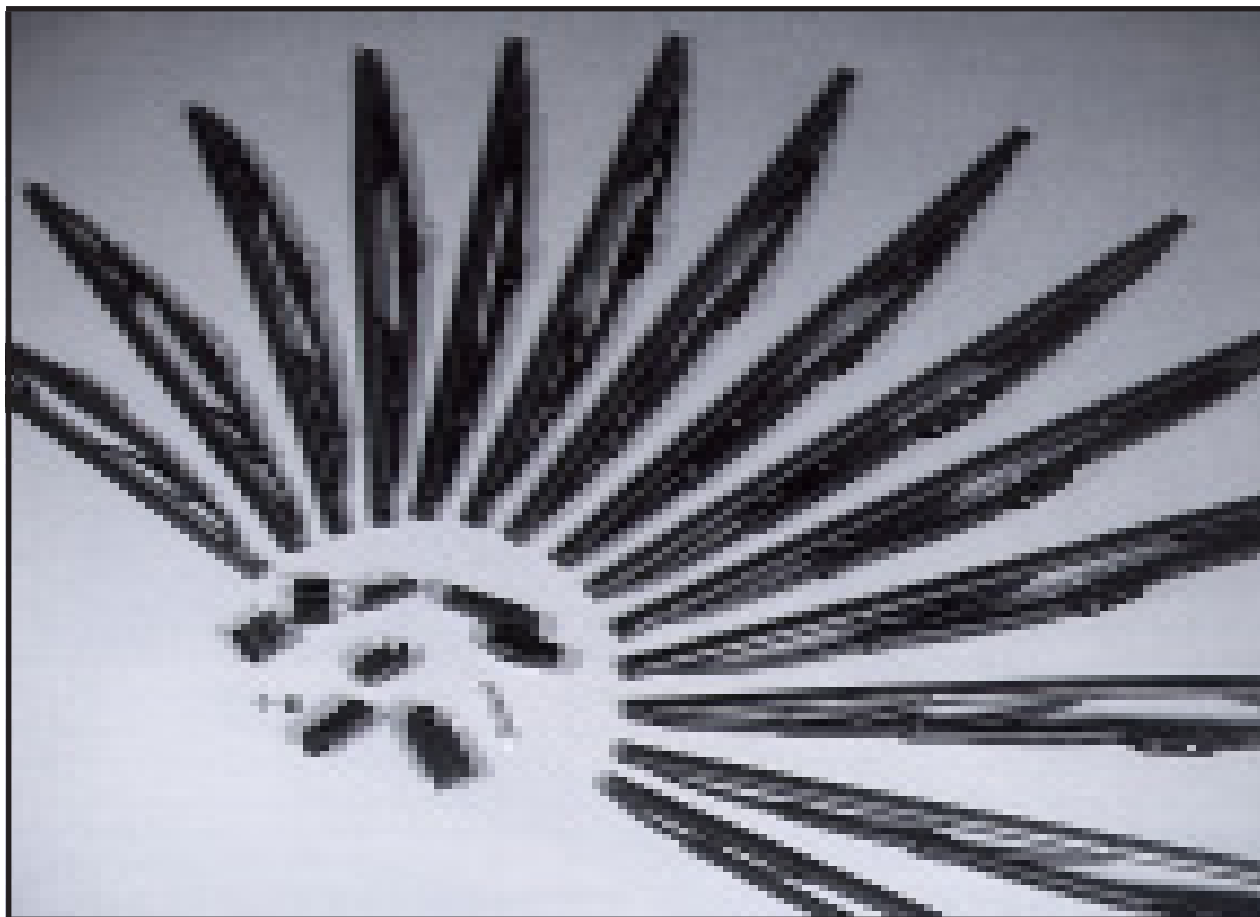
1991

1982

1990

1978 - 94

1993



CAR AND LIGHT COMMERCIAL WIPER BLADES

PART NO.	SIZE	PACK QTY	PART NO.	SIZE	PACK QTY
MID4110	10" 254mm	1	MID4118T	18" 457mm	10
MID4111T	11" 279mm	10	MID4119T	19" 483mm	10
MID4113	13" 330mm	1	MID4120T	20" 508mm	10
MID4114	14" 356mm	1	MID4121T	21" 533mm	10
MID4115	15" 381mm	1	MID4122T	22" 559mm	10
MID4116T	16" 406mm	10	MID4124	24" 610mm	1
MID4117T	17" 432mm	10			

LAST TWO NUMERALS OF PART NO. DENOTES LENGTH OF BLADE

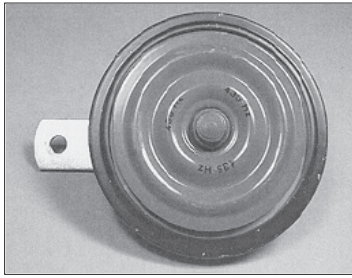
COMMERCIAL VEHICLE WIPER BLADES

PART NO.	SIZE	QTY	FIXING	PART NO.	SIZE	QTY	FIXING
MID4201	20" 508mm	1	UNIVERSAL	MID4261	26" 660mm	1	SADDLE
MID4202	20" 508mm	1	SADDLE	MID4262HD	26" 660mm	1	12mm HOOK
MID4221	22" 559mm	1	SADDLE	MID4281	28" 711mm	1	SADDLE
MID4241	24" 610mm	1	SADDLE	MID4321	32" 813mm	1	SADDLE
MID4242HD	24" 610mm	1	12mm HOOK				

HD = HEAVY DUTY

SECOND & THIRD NUMERALS OF PART NO. DENOTES LENGTH OF BLADE

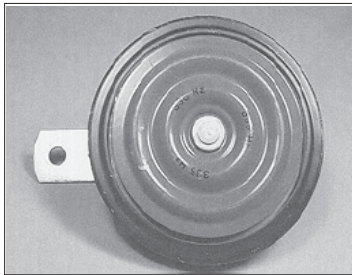
HORN



HORN DIAMETER = 93MM

MID5001
12 VOLT DISC TYPE HORN
SINGLE TERMINAL
HIGH NOTE
INTERCHANGEABLE WITH **LUCAS SHB120**
'E' MARKED
EMITS APPROX. 120db @ 1 METRE

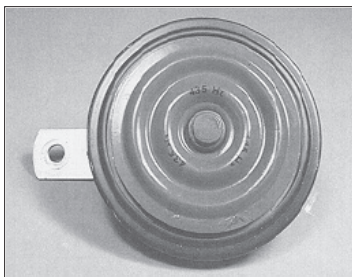
HORN



HORN DIAMETER = 93MM

MID5002
12 VOLT DISC TYPE HORN
SINGLE TERMINAL
LOW NOTE
'E' MARKED
EMITS APPROX. 120db @ 1 METRE

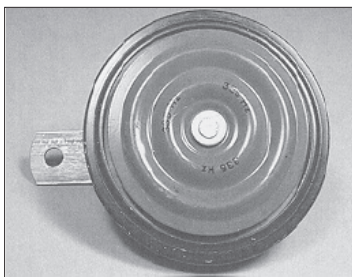
HORN



HORN DIAMETER = 93MM

MID5003
12 VOLT DISC TYPE HORN
TWIN TERMINAL
HIGH NOTE
INTERCHANGEABLE WITH **LUCAS SHB134**
'E' MARKED
EMITS APPROX. 120db @ 1 METRE

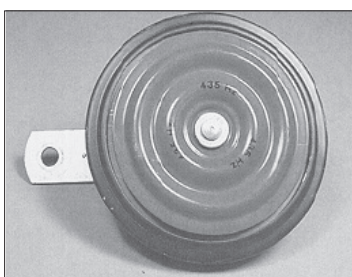
HORN



HORN DIAMETER = 93MM

MID5004
12 VOLT DISC TYPE HORN
TWIN TERMINAL
LOW NOTE
'E' MARKED
EMITS APPROX. 120db @ 1 METRE

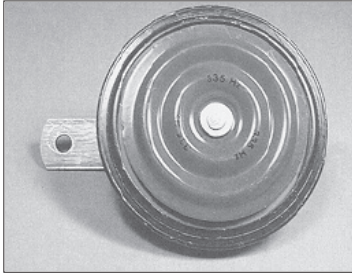
HORN



HORN DIAMETER = 93MM

MID5005
24 VOLT DISC TYPE HORN
TWIN TERMINAL
HIGH NOTE
'E' MARKED
EMITS APPROX. 120db @ 1 METRE

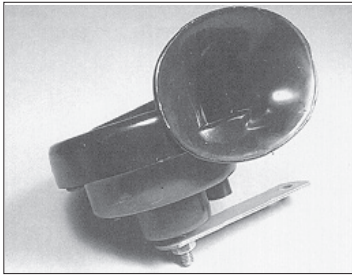
HORN



HORN DIAMETER = 93MM

MID5006
24 VOLT DISC TYPE HORN
TWIN TERMINAL
LOW NOTE
'E' MARKED
EMITS APPROX. 120db @ 1 METRE

HORN



HORN DIAMETER = 87MM

MID5007
12 VOLT SHELL TYPE HORN
TWIN TERMINAL
HIGH NOTE
INTERCHANGEABLE WITH **LUCAS SHB123**
'E' MARKED
EMITS APPROX. 120db @ 1 METRE

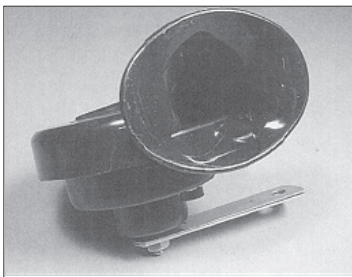
HORN



HORN DIAMETER = 87MM

MID5008
12 VOLT SHELL TYPE HORN
TWIN TERMINAL
LOW NOTE
INTERCHANGEABLE WITH **LUCAS SHB122**
'E' MARKED
EMITS APPROX. 120db @ 1 METRE

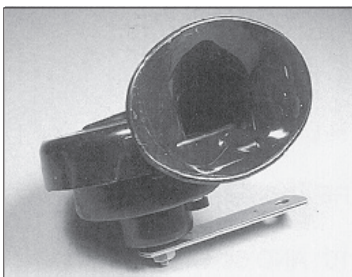
HORN



HORN DIAMETER = 87MM

MID5009
24 VOLT SHELL TYPE HORN
TWIN TERMINAL
HIGH NOTE
INTERCHANGEABLE WITH **LUCAS SHB127**
'E' MARKED
EMITS APPROX. 120db @ 1 METRE

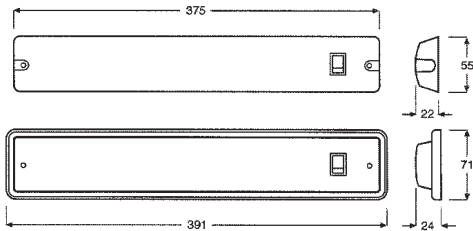
HORN



HORN DIAMETER = 87MM

MID5010
24 VOLT SHELL TYPE HORN
TWIN TERMINAL
LOW NOTE
INTERCHANGEABLE WITH **LUCAS SHB126**
'E' MARKED
EMITS APPROX. 120db @ 1 METRE

FLUORESCENT LAMP - SLIMLINE

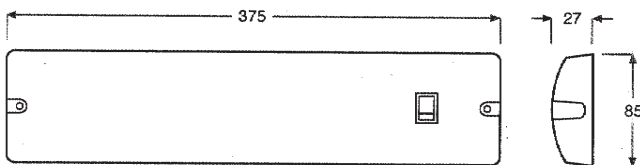


MID1130

SWITCHED
8W 12V, 0.5 Amp 30KHz, 400 Lumens
SURFACE MOUNT
SLIMLINE 22MM PROFILE FOR MAXIMUM HEADROOM
EXTERNAL FIXING CENTRES FOR EASE OF INSTALLATION
REVERSE POLARITY PROTECTED
RADIO & TV SUPPRESSED
PROVEN RELIABILITY

CARAVANS, MOTORHOMES & BOATS

FLUORESCENT LAMP



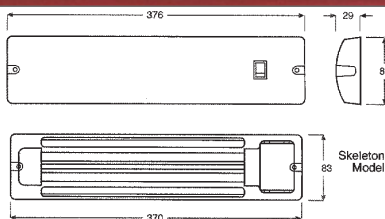
MID1131

SWITCHED WITH DIFFUSER
2 x 8W 12V, 0.8Amp 30KHz, 800 Lumens

MID 1132 AS MID 1131 BUT WITHOUT DIFFUSER
SURFACE MOUNT
SLIMLINE 27mm PROFILE FOR MAXIMUM HEADROOM
EXTERNAL FIXING CENTRES FOR EASE OF INSTALLATION
REVERSE POLARITY PROTECTED
RADIO & TV SUPPRESSED
PROVEN RELIABILITY

CARAVANS, MOTORHOMES & BOATS

FLUORESCENT LAMP



MID1133 SWITCHED

2 x 8W 12V, 0.8Amp 30KHz, 800 Lumens

MID1134 as MID1133 BUT UNSWITCHED

MID 1135 SWITCHED

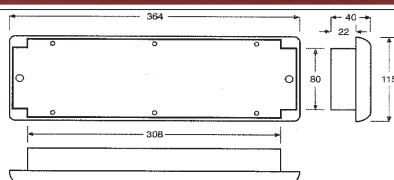
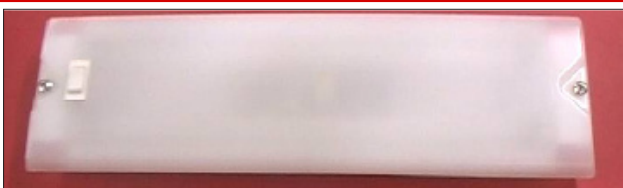
2 x 8W 24V, 0.4Amp 30KHz, 800 Lumens

MID1136 AS MID1135 BUT UNSWITCHED

SURFACE MOUNT
SLIMLINE 29mm PROFILE FOR MAXIMUM HEADROOM
EXTERNAL FIXING CENTRES FOR EASE OF INSTALLATION
REVERSE POLARITY PROTECTED
INTEGRAL INVERTER

CV's & MINI BUSES ALSO SUITABLE FOR CARAVANS, MOTORHOMES & BOATS

FLUORESCENT LAMP - RECESSED



MID1137 SWITCHED

2 x 8W 12V, 1.2Amp 25KHz, 750 Lumens

MID 1138 AS MID 1137 BUT UNSWITCHED

MID 1139 SWITCHED

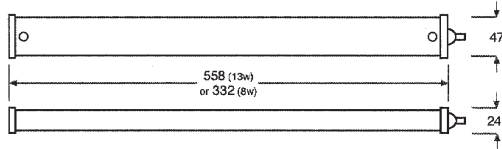
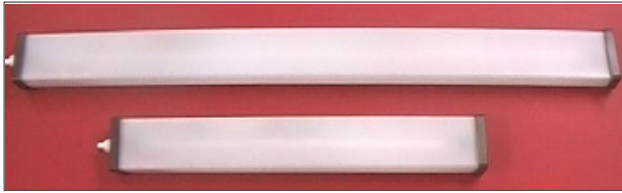
2 x 8W 24V, 0.7Amp 25KHz, 750 Lumens

MID 1140 AS MID1139 BUT UNSWITCHED

A compact semi recessed fitting which uses
2 x 8w fluorescent tubes. Opal polycarbonate
diffuser.

CV's & MINI BUSES

FLUORESCENT LAMP - SLIMLYTE



MID1141

8W 12V, 0.8 Amp 17KHz, 400 Lumens

MID1142

13W 12V, 1.4 Amp 17KHz, 800 Lumens

MID1143

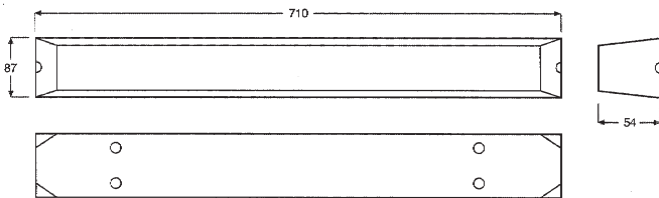
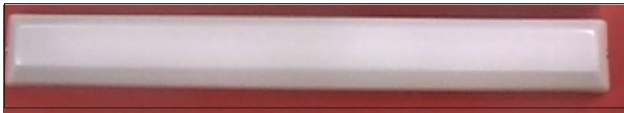
8W 24V, 0.4 Amp 17KHz, 400 Lumens

MID1144

13W 24V, 0.7 Amp 17KHz, 800 Lumens

The Slimlyte is ideal where headroom is at a premium in caravans, motorhomes and boats. Slimlyte's fully ribbed diffuser gives maximum light emission with reduced sideways glare. Incorporating a push switch and easy to remove diffuser.

FLUORESCENT LAMP



MID1145

SURFACE MOUNT

20W 12V, 1.4 Amp 15KHz

MID1146

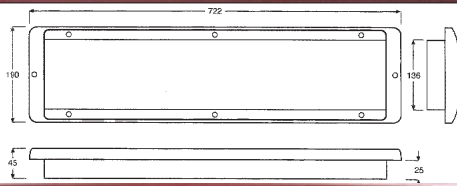
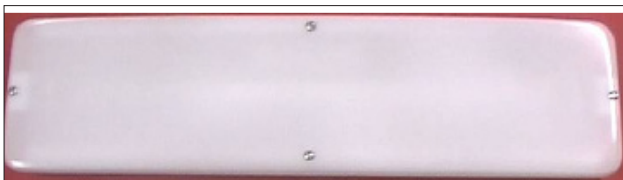
SURFACE MOUNT

20W 24V, 0.7 Amp 15KHz

Surface mounted 20 Watt fluorescent light with an integral inverter. Fitted with an Opal polycarbonate diffuser on an aluminium chassis, ideal for installa

C.V. & P.S.V.

FLUORESCENT LAMP



MID1147

SEMI RECESSED

20W 12V, 1.4 Amp 15KHz

MID1148

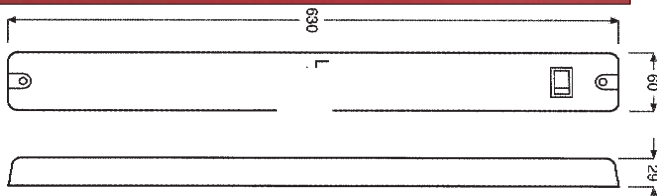
SEMI RECESSED

20W 24V, 0.7 Amp 15KHz

Semi recessed 20 Watt fitting which has been designed for ease of installation and maintenance. The semi recessed design gives maximum headroom in PSV applications.

P.S.V.

FLUORESCENT LAMP



MID1149

SURFACE MOUNT WITH DIFFUSER

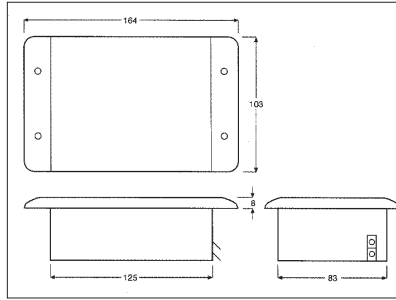
13W 12V, 0.7 Amp 37KHz, 700 Lumens

MID1150

MID1149 BUT WITHOUT DIFFUSER

CARAVANS & MOTORHOMES

TUNGSTEN COOLER LAMP

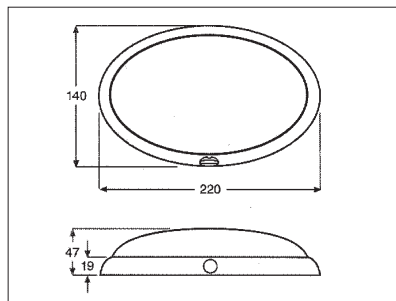


MID1151
21W 12V, 1.75 Amp
MID1152
21W 24V, 0.8 Amp

IP65 RATED, FULLY WATERPROOF.
WILL OPERATE BETWEEN -28C & 25C
POLYCARBONATE CONSTRUCTION

REFRIGERATED VEHICLES & STEP LIGHTS

FLUORESCENT LAMP

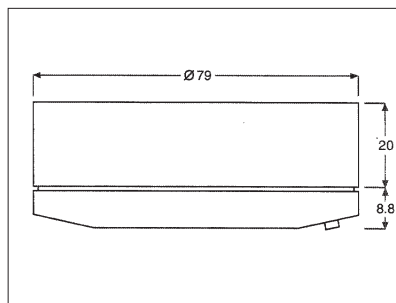


MID1153
SWITCHED
9W PL 12V, 0.8 Amp, 450 Lumens

EQUIVALENT TO 40W TUNGSTEN

CV, MINI BUSES, CARAVANS, MOTORHOMES & BOATS

SPOTLIGHT

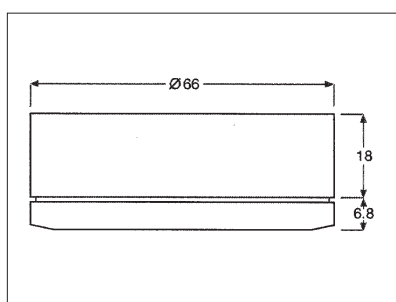


MID1154
10W 12V, 850mA, 130 Lumens

10W Halogen spotlight
Modern attractive styling
Fully adjustable
Easy installation
Strong durable polycarbonate

PSV, CV CARAVANS, MOTORHOMES & BOATS

SPOTLIGHT

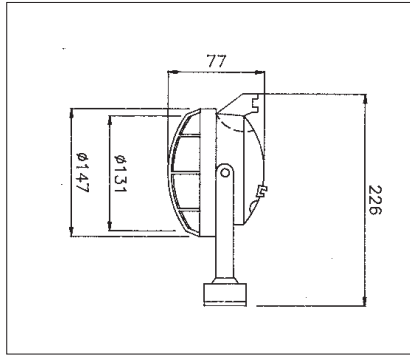
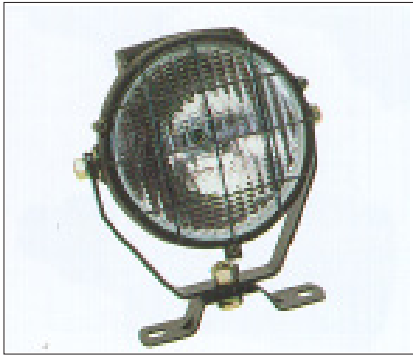


MID1155
10W 12V, 850mA, 130 Lumens

10W Halogen spotlight
Modern attractive styling
Fully adjustable
Easy installation
Strong durable polycarbonate

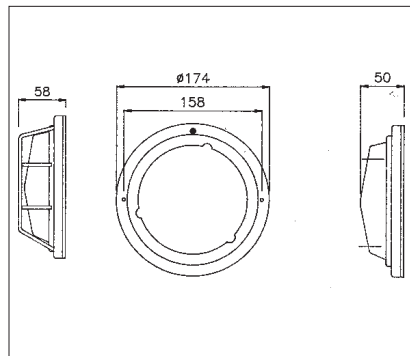
PSV, CV CARAVANS, MOTORHOMES & BOATS

WORK LAMP



MID1112
Worklamp glass lens

ROOF LAMP



MID1113
Roof Lamp glass lens with guard

COLUMN SWITCH



MULTI FUNCTION LEVER

WIPER/WASH

MID9246D

DENNIS DART

201.246D

COLUMN SWITCH



MULTI FUNCTION LEVER

IND/MAIN/DIP BEAM/PASS

HORN/WASH

MID9308

DAF

201.308

COLUMN SWITCH



MULTI FUNCTION LEVER

CRUISE CONTROL/IND/
PASS

MID9340

VOLVO

202.340

COLUMN SWITCH



MULTI FUNCTION LEVER

MID9117

IND/LIGHTS/WIPERS

MAN

203.117

COLUMN SWITCH



MULTI FUNCTION LEVER

MID9413

HORN/WIPER/WASH/IND

DAF

201.413

COLUMN SWITCH



MULTI FUNCTION LEVER

MID9545

WIPER/WASH

DENNIS DART

201.545

COLUMN SWITCH



MULTI FUNCTION LEVER

MID9627

IND/PASS/HAZARD

VOLVO

201.627

COLUMN SWITCH



MULTI FUNCTION LEVER

HAZARD/PASS/WIPER

MID9725

SCANIA

201.725

COLUMN SWITCH



MULTI FUNCTION LEVER

HAZARD/PASS/WIPER

MID9731

VOLVO

8158724

COLUMN SWITCH



MULTI FUNCTION LEVER

CRUISE CONTROL/IND/
PASS/HAZARD

MID9730

VOLVO

8158723

COLUMN SWITCH



MULTI FUNCTION LEVER


IND/PASS

MID9647


SCANIA

202.647


COLUMN SWITCH

	<p>MULTI FUNCTION LEVER</p> <p>IND/PASS</p>	<p>MID9647</p> <p>SCANIA</p> <p>202.647</p>
--	---	---

COLUMN SWITCH

	<p>MULTI FUNCTION LEVER</p> <p>HORN/WIPER/PASS/ H/L BEAM</p>	<p>MID9682</p> <p>MERCEDES</p> <p>201.682</p>
---	--	---

COLUMN SWITCH

	<p>MULTI FUNCTION LEVER</p> <p>WIPER/WASH</p>	<p>MID9726</p> <p>201.726</p>
--	---	-------------------------------



SWITCHGEAR



MID9012
35670

PLANT TYPE IGNITION SWITCH

SWITCHGEAR



MID652960
24V BATTERY RELAY

DENNIS

SWITCHGEAR



MID222021
24V BATTERY RELAY

VOLVO

SWITCHGEAR



MID9100

24V BATTERY ISOLATOR SWITCH

MID9101

12V BATTERY ISOLATOR SWITCH

BEACON



MIDB10

AMBER

10-100V XENON
3 BOLT FIXING
BEACON

BEACON



MIDB11

AMBER

10-100V XENON
SINGLE BOLT FIXING
BEACON

BEACON



MID020

AMBER

12-24V XENON
MIDNETIC BEACON

BEACON



MID040

AMBER

12-24V XENON
FLEXIMOUNT BEACON

BEACON



MID050

AMBER

12-24V XENON
3 BOLT FIXING BEACON

BEACON



MID060

AMBER

12-24V XENON
SINGLE BOLT FIXING
BEACON

BEACON



MID121

AMBER

12V SINGLE BOLT FIXING
ROTATING BEACON

BEACON



MID122

AMBER

12-24V DUAL VOLTAGE
SINGLE BOLT FIXING
ROTATING BEACON

BEACON



MID152

BLUE

12-24V 3 BOLT FIXING ROTATING
BEACON

BEACON



MID221

AMBER

12V 3 BOLT FIXING ROTATING
BEACON

BEACON



MID222

AMBER

24V 3 BOLT FIXING ROTATING
BEACON

BEACON



MID255

AMBER

12-24V 3 BOLT FIXING ROTATING
BEACON

BEACON



MID260

AMBER

12-24V ROTATING MIDNETIC
BEACON

BEACON



MID270

AMBER

12-24V ROTATING DIN MOUNT
BEACON

LIGHT BAR



MID364

AMBER

12-24V XENON LIGHT BAR

HEADLAMPS



MID995 L.H. MID994 R.H.
FORD TRANSIT MK6 2000
ELEC/MANUAL BLACK
INNER HEADLAMP

MID997 L.H. MID996 R.H.
FORD TRANSIT MK6 2000>
ELEC/MANUAL CHROME INNER
HEADLAMP



MID997 L.H. MID996 R.H.
FORD TRANSIT MK6 2000
ELEC/MANUAL CHROME INNER
HEADLAMP



DISCLAIMER

Whilst every care has been taken to ensure that this Clifton Auto Electrical & Diesel catalogue is accurate at time of print, we (Clifton Auto Electrical & Diesel) cannot be held responsible for the information contained herein.

Please note that product specifications and part numbers are subject to change from time to time, as we strive for further enhanced improvements and product development. Clifton Auto Electrical & Diesel therefore reserves the right to alter product specifications without notice.

None of the images contained within this catalogue are to scale and are for reference purposes only, and may not be an exact reproduction of the product supplied. All images remain the property of Clifton Auto Electrical & Diesel and must not be copied or used in any way without prior written consent from Clifton Auto Electrical & Diesel
Tel (0161) 877 8338.

Manufacturers part numbers and application details are used for reference purposes only.

All sections of this catalogue are the copyright of Clifton Auto Electrical & Diesel
All rights reserved.
E & OE

